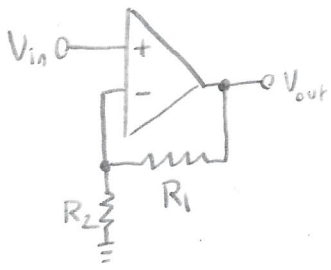


Amplifier restorer.



Voltage divider: $V_- = \frac{R_2}{R_1 + R_2} V_{out}$

Op-Amp equation: $V_{out} = A(V_+ - V_-) = A(V_{in} - \frac{R_2}{R_1 + R_2} V_{out})$

Solve: $AV_{in} = \left(1 + \frac{AR_2}{R_1 + R_2}\right) V_{out}$

lim $A \rightarrow \infty$: $V_{in} = \frac{R_2 V_{out}}{R_1 + R_2} \Rightarrow V_{out} = \frac{R_1 + R_2}{R_2} V_{in}$

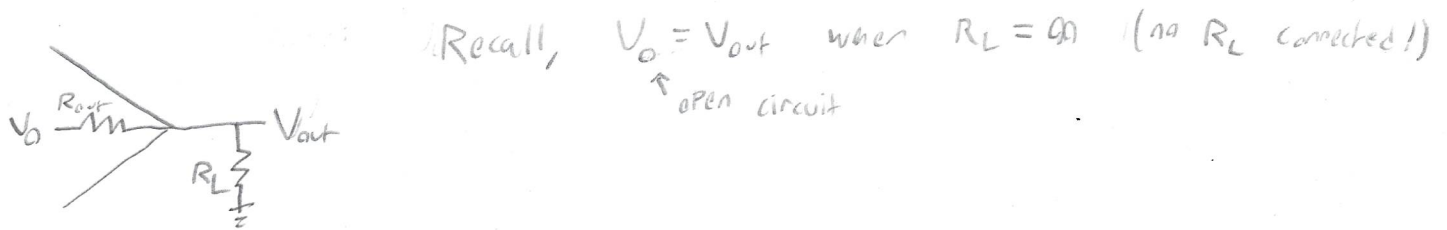
Limit check: buffer; $R_1 = 0, R_2 = \infty$
 $G = 1 + \frac{0}{\infty} = 1 \checkmark$

$\Rightarrow G = 1 + R_1/R_2 = GV$

Output impedance of this amplifier.

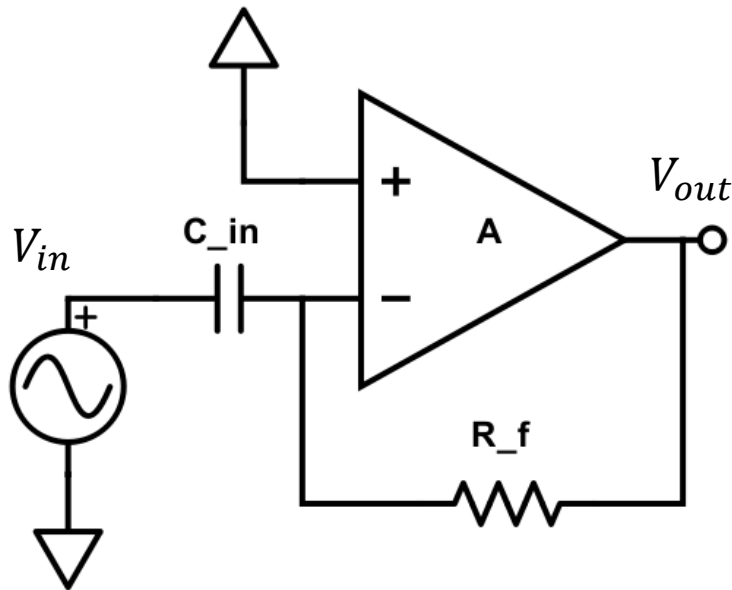
As we've said plenty in lab, (and in the handout!) reporting a bound is sufficient, Using the resistor box & observing the (lack of) effect at small R_L should be enough for you to argue (w/ justification if you want credit!) that Z_{out} is small.

An experimental method that works quite well is to collect several non-clipped data points for various R_L , and treat it as a voltage divider:



K. Arnold – Lecture 19 for PHYS 120 in W19

Op-Amp Differentiator: frequency domain analysis



$$\begin{aligned}\tilde{V}_{out} - \tilde{V}_- &= IZ_f \\ \tilde{V}_- - \tilde{V}_{in} &= IZ_{in} \\ V_+ &= 0\end{aligned}$$

$$\begin{aligned}\tilde{V}_{out} &= \tilde{A}(\omega) (\tilde{V}_+(\omega) - \tilde{V}_-(\omega)) = -\tilde{A}(\omega)\tilde{V}_- \\ Z_f &= R_f, Z_{in} = (i\omega C_{in})^{-1}\end{aligned}$$

$$\begin{aligned}(\tilde{V}_{out} - \tilde{V}_-) &= \frac{(\tilde{V}_- - \tilde{V}_{in})Z_f}{Z_{in}} \\ \Rightarrow \tilde{V}_- \left(\frac{Z_f}{Z_{in}} + 1 \right) &= \tilde{V}_{out} + \frac{Z_f}{Z_{in}} \tilde{V}_{in}\end{aligned}$$

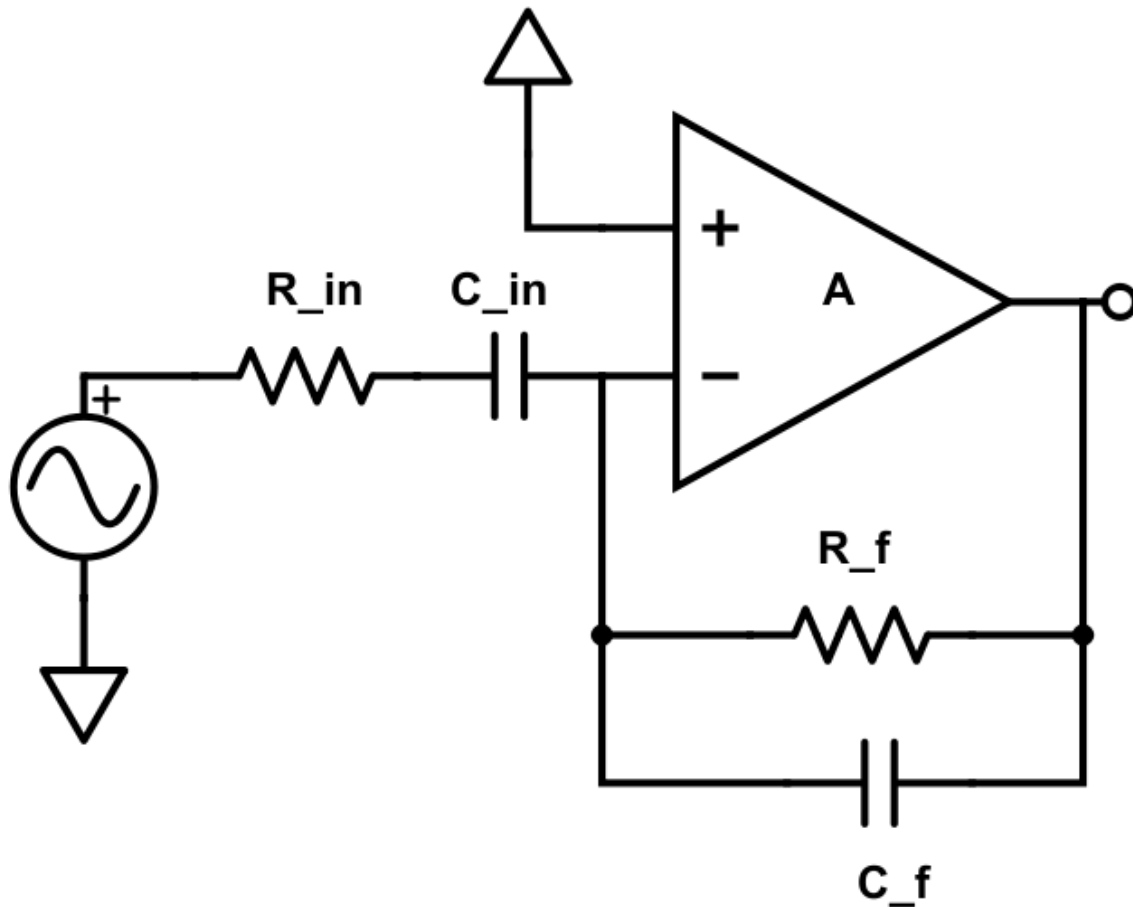
$$\tilde{V}_{out} = - \frac{\tilde{A}(\omega) \left(\tilde{V}_{out} + \frac{Z_f}{Z_{in}} \tilde{V}_{in} \right)}{\left(\frac{Z_f}{Z_{in}} + 1 \right)}$$

$$\tilde{V}_{out} = \frac{-\frac{\tilde{A}(\omega)Z_f}{Z_f + Z_{in}}}{1 + \frac{\tilde{A}(\omega)Z_{in}}{Z_f + Z_{in}}} \tilde{V}_{in} = \frac{(-\tilde{A}(\omega)Z_f)}{Z_f + (1 + \tilde{A}(\omega))Z_{in}} \tilde{V}_{in}$$

Physics 120, Winter 2019, Homework 7

Due: 2018-02-28, at beginning of lab

The following problems refer to this differentiator circuit, which I introduced in lecture.



1. Derive the complex expression for the closed loop gain $\tilde{G}(\omega)$, assuming $\tilde{A}(\omega) = \tilde{A}$ is constant and large for all frequencies of interest.

$$Z_f = \left[\frac{1}{R_f} + i\omega C_f \right]^{-1} = \frac{R_f}{1 + i\omega C_f R_f}$$
$$Z_{in} = R_{in} + \frac{1}{i\omega C_{in}} = \frac{1 + i\omega R_{in} C_{in}}{i\omega C_{in}}$$

From lecture:

K. Arnold

$$\tilde{G}(\omega) = \frac{\tilde{V}_{out}}{\tilde{V}_{in}} = \frac{(-\tilde{A}(\omega)Z_f)}{Z_f + (1 + \tilde{A}(\omega))Z_{in}} = \frac{-\tilde{A} \frac{R_f}{1 + i\omega C_f R_f}}{\frac{R_f}{1 + i\omega C_f R_f} + (1 + \tilde{A}) \frac{1 + i\omega R_{in} C_{in}}{i\omega C_{in}}}$$

$$\approx \frac{R_f i\omega C_{in}}{(1 + i\omega C_f R_f)(1 + i\omega R_{in} C_{in})}$$

2. Derive the magnitude of the gain $|\tilde{G}(\omega)|$ and the phase change of the output vs input wave $\Delta\phi$. What is the behavior of each as a function of frequency in the high- and low-frequency limit?

Magnitude:

$$|\tilde{G}(\omega)| = \sqrt{\frac{R_f i\omega C_{in}}{(1 + i\omega C_f R_f)(1 + i\omega R_{in} C_{in})} \frac{-R_f i\omega C_{in}}{(1 - i\omega C_f R_f)(1 - i\omega R_{in} C_{in})}}$$

$$= \sqrt{\frac{\omega^2 R_f^2 C_{in}^2}{(1 + \omega^2 \tau_f^2)(1 + \omega^2 \tau_{in}^2)}}$$

Where I've defined $\tau_{in} = C_{in} R_{in}$ and $\tau_f = C_f R_f$.

Low- and high-frequency limits:

$$\lim_{\omega \rightarrow 0} |\tilde{G}(\omega)| = \omega R_f C_{in} \propto \omega$$

$$\lim_{\omega \rightarrow \infty} |\tilde{G}(\omega)| = \frac{\omega R_f C_{in}}{\omega R_f C_f \omega R_{in} C_{in}} = \frac{1}{\omega C_f R_{in}} \propto \frac{1}{\omega}$$

Phase:

$$\delta\phi = \text{atan}\left(\frac{\text{Imag}(\tilde{G}(\omega))}{\text{Real}(\tilde{G}(\omega))}\right)$$

$$\tilde{G}(\omega) = \frac{R_f i\omega C_{in}}{(1 + i\omega C_f R_f)(1 + i\omega R_{in} C_{in})} \frac{(1 - i\omega C_f R_f)(1 - i\omega R_{in} C_{in})}{(1 - i\omega C_f R_f)(1 - i\omega R_{in} C_{in})}$$

$$= \frac{i\omega R_f C_{in}(1 - i\omega\tau_f - i\omega\tau_{in} - \omega^2\tau_{in}\tau_f)}{(1 + \omega^2\tau_f^2)(1 + \omega^2\tau_{in}^2)} = \frac{\omega^2 R_f C_{in}(\tau_f + \tau_{in}) + i\omega R_f C_{in}(1 - \omega^2\tau_{in}\tau_f)}{(1 + \omega^2\tau_f^2)(1 + \omega^2\tau_{in}^2)}$$

$$\delta\phi = \text{atan}\left(\frac{\omega R_f C_{in}(1 - \omega^2\tau_{in}\tau_f)}{\omega^2 R_f C_{in}(\tau_f + \tau_{in})}\right) = \text{atan}\left(\frac{1 - \omega^2\tau_{in}\tau_f}{\omega(\tau_f + \tau_{in})}\right)$$

Low- and high-frequency limits:

$$\lim_{\omega \rightarrow 0} \Delta\phi = \text{atan}\left(\frac{1}{\omega(\tau_f + \tau_{in})}\right) \rightarrow 0$$

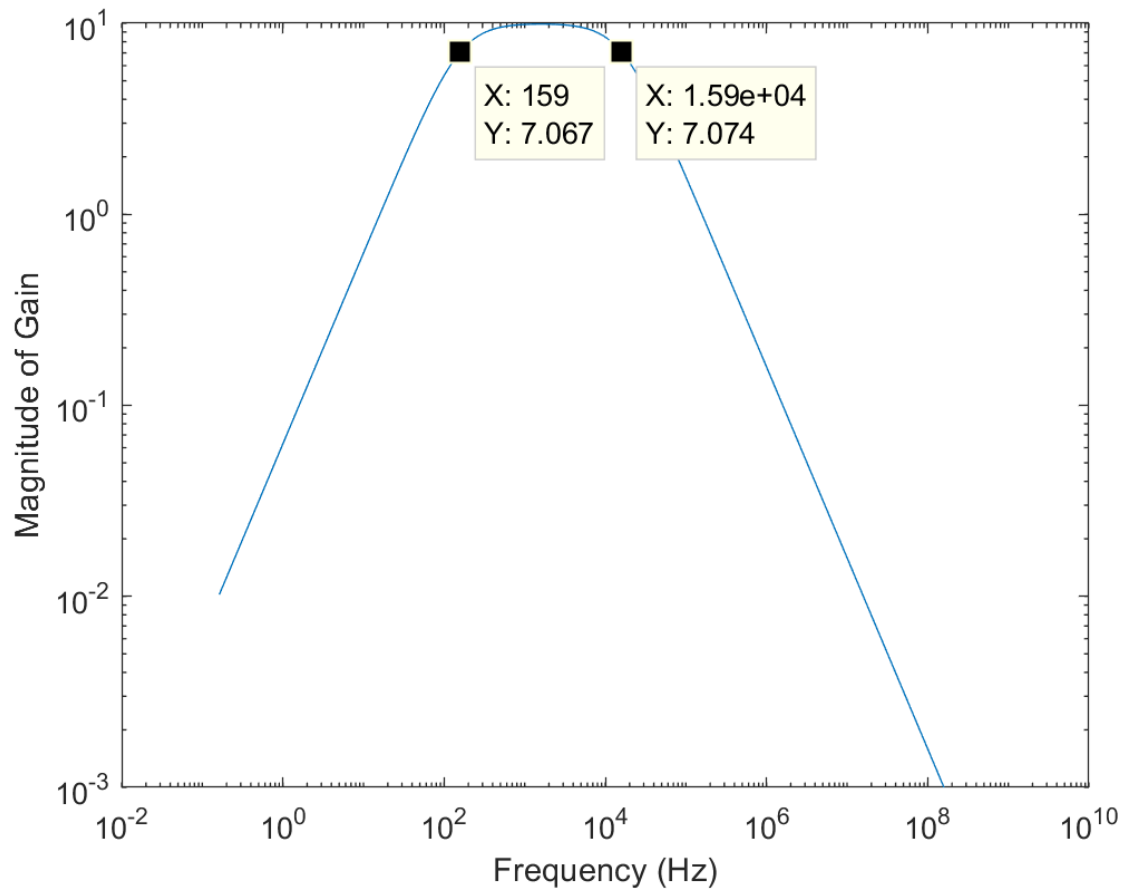
$$\lim_{\omega \rightarrow \infty} \Delta\phi = \text{atan}\left(\frac{\omega\tau_{in}\tau_f}{\tau_{in} + \tau_f}\right) \rightarrow \frac{\pi}{2}$$

3. Make two plots with frequency on the horizontal axis, one for magnitude (log-log plot) and one for phase (linear-log plot). Make the plots for $R_{in} = 10k\Omega$, $C_{in} = 0.1 \mu F$, $R_f = 100 k\Omega$, $C_f =$

K. Arnold

100 pF. Identify the frequencies such that $2\pi f R_{in} C_{in} = 1$, and $2\pi f R_f C_f = 1$, and show them on the plot.

$$2\pi f R_{in} C_{in} = 1 \Rightarrow f = 159 \text{ Hz}$$
$$2\pi f R_f C_f = 1 \Rightarrow f = 1.59 \cdot 10^4 \text{ Hz}$$



K. Arnold

